

Vanity

Installation Instruction Care & Maintenance Guide Warranty

All Convex Glass product must follow its installation instruction

Content

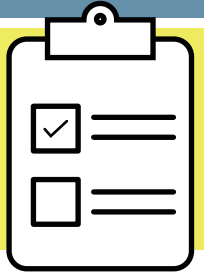
- 1 Intsallation Checklist
- 2 Vanity Installation
- 3 Top & Basin Installation
- 4 Door Adjustment
Drawer Adjustment
- 5 Mirror Cabinet Installation
- 6 Product Care & Maintenance
- 7 Warrenty



PRIOR TO INSTALLATION CHECKLIST

BEFORE proceeding with installation, please check goods carefully. We strongly recommend a qualified tradesperson install our product to ensure high installation workmanship provided for best result.

It is the responsibility of the installer to make any adjustments to doors/ drawers after installation.



01. Inspect products for any damages

It is important to inspect the cabinet to ensure no damage has occurred in transit. If damage has occurred, or a visible defect exists, DO NOT proceed with installation and contact your place of purchase immediately.

No claims for damages or defects will be accept after installation.

Note: Manufacturer will not be liable for any installation, removal or re-decorating costs. The warranty will be null and void if damage occurred during or after installation.



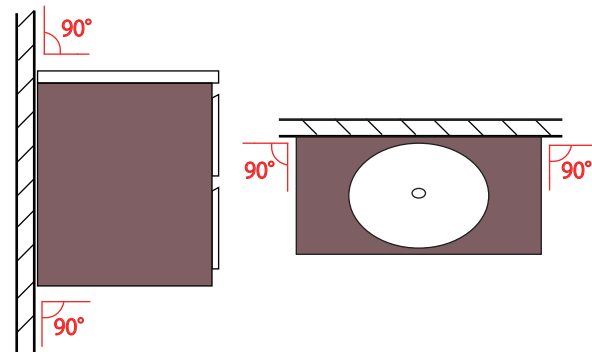
02. Check for installation conditions

Check the wall is plumb and straight (not bowed or twisted) and floor is level. If not, the cabinet will need to be packed out so that it is sitting level, otherwise the cabinet will twist, causing the doors and drawers to be out of alignment and not function correctly.

Vanities must be installed with tiles behind them. Any vanities which have been "tiled in" will be void of warranty.

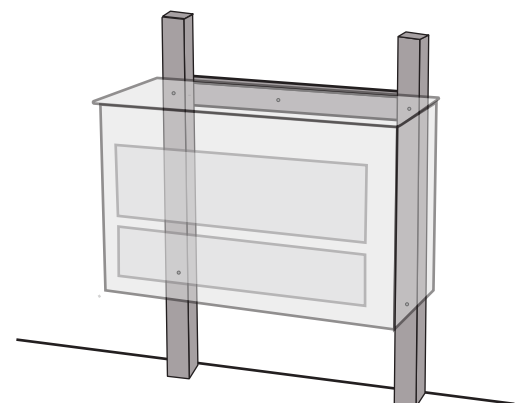
It is recommended that vanities are installed over 300mm from any wet area such as baths, spas and showers. It is important that your athroom is adequately ventilated to eliminate moisture build up. High humidity will lead to permanent dampness and mould resulting in deterioration of the materials in your bathroom.

Water damage is NOT covered under warranty



03. Wall hung cabinets

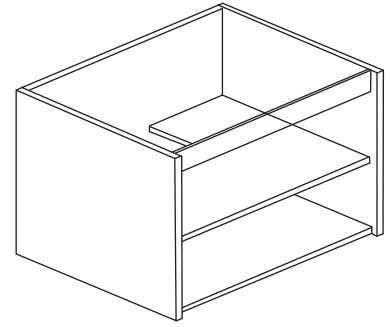
Wall hung cabinets require fixing to a support beam fixed between the studs to give a solid wall backing to attach the vanity to. Cabinets must be attached to a minimum of 2 support beams or studs. Ensure total width of support beam exceeds cabinet width.



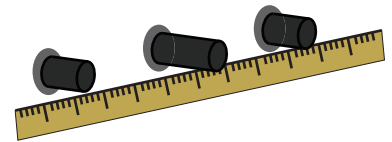
Vanity Installation



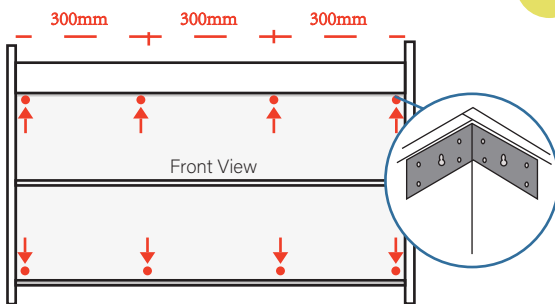
- 1 Remove all doors and drawers. Exposed runners should be covered prior to re-fitting the drawers to prevent dirt and dust build up.



- 2 Measure any necessary plumbing points and drill holes for plumbing in the back panel and/or base of the cabinet with an appropriate sized hole saw.



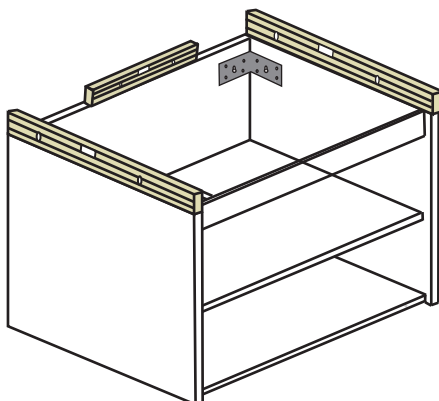
- 3 Securely fasten the vanity to the wall through back of vanity with appropriate fixings for both the weight of the vanity and the wall material.



Fixings should be secured through the top left and right hand brackets for maximum strength (recommend fixings at a maximum of 300mm evenly space apart horizontally).

Ensure fixings clear all water/electrical services in wall.

Note: Vanity must attach to a minimum of two support beams.



- 4 Prior to final fixing of the vanity unit check that the front, back, sides, and the diagonals are level.

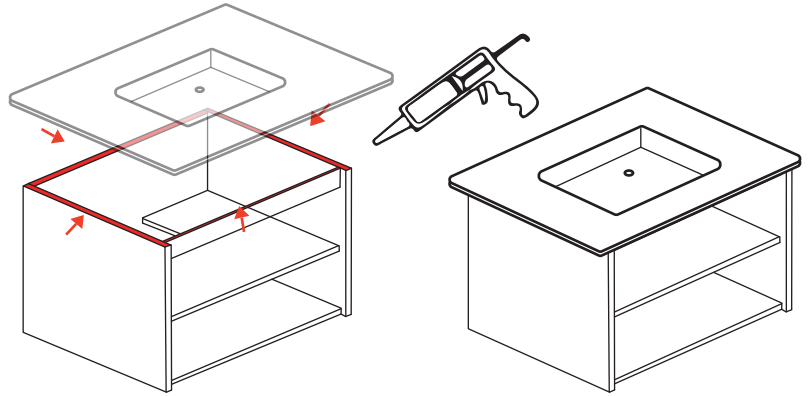
Top & Basin Installation



1 Undermount Basin

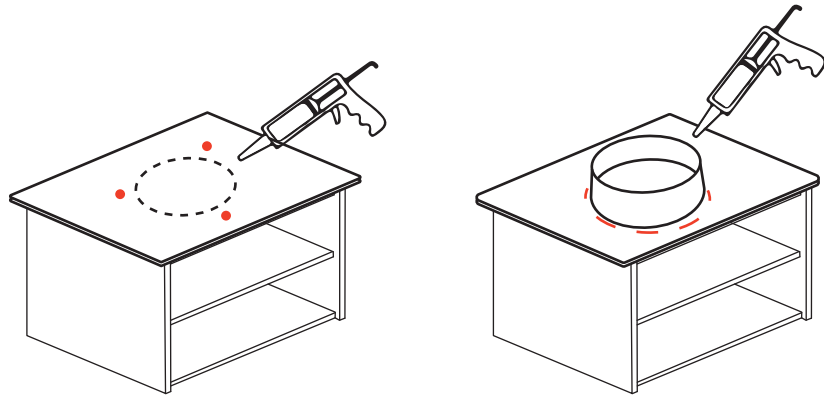
Fit the top to the cabinet using a continuous thin bead of non-acidic silicone on all four edges.

Ensure the top surface is level and top is in position where it has equal overhang on each side.



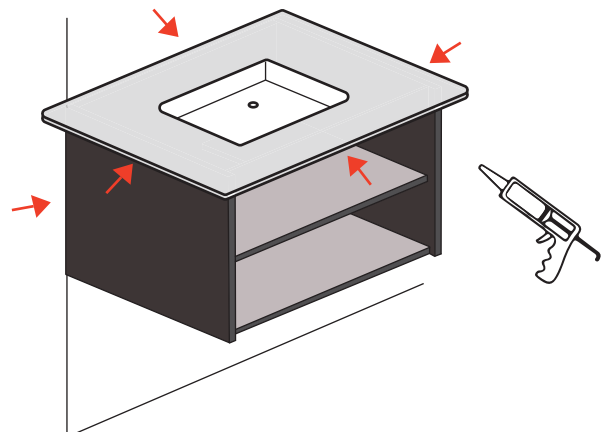
2 Above Counter Basin

In order to replace the basin easily without damage to benchtops, **DO NOT** apply a bed of silicon to fix basin to benchtop. Apply 3 silicon dots on benchtop and put a bead of silicon around the edge to seal and to hold basin in place after plumbing is completed.



3

Seal all cabinet edges against floor and wall to prevent water penetration. Please allow the siliconeto dry, which could take up to at least 24 hours.

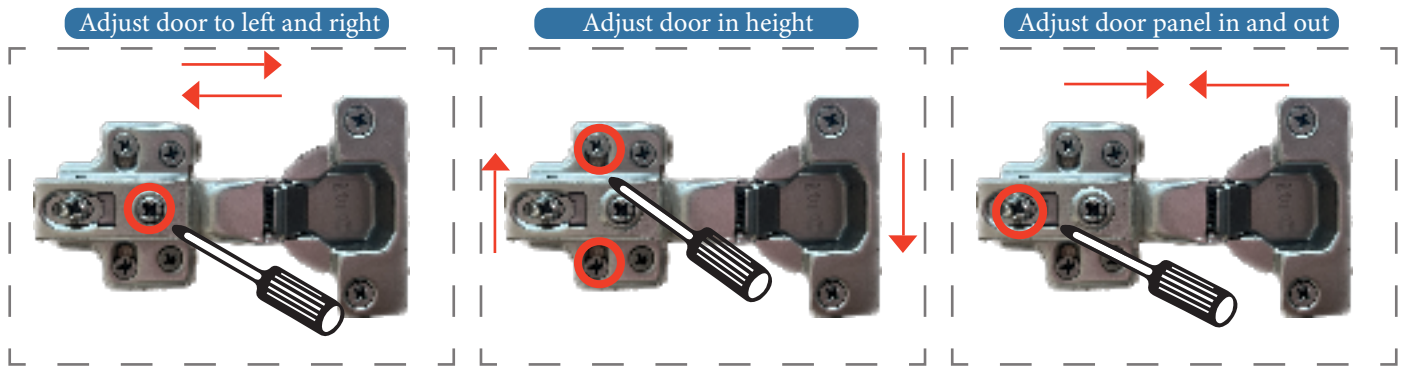


Door Adjustment



All vanities will need some adjustment and alignment after installation as the doors and drawers may move during transportation and installation.

Note: it is the responsibility of the installer to ensure the cabinet level and these adjustments are done correctly. No Warranty claims will be accepted until this adjustment process is completed.

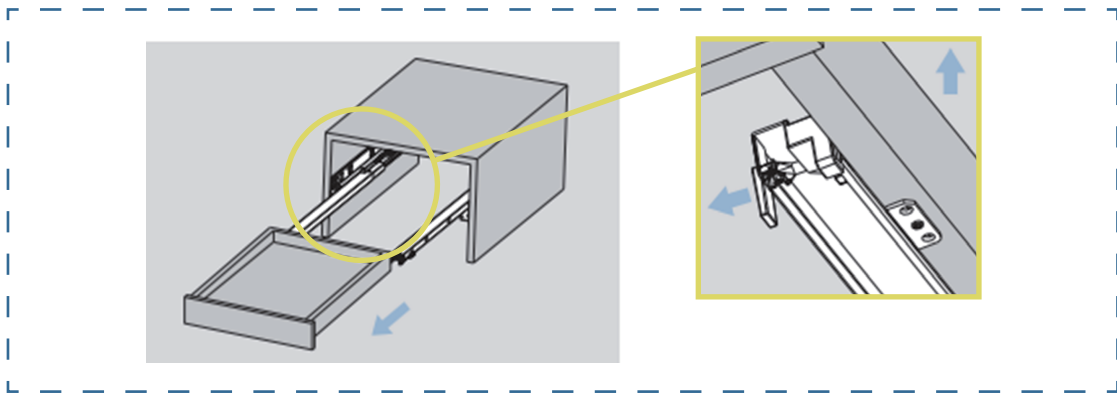


Drawer Adjustment



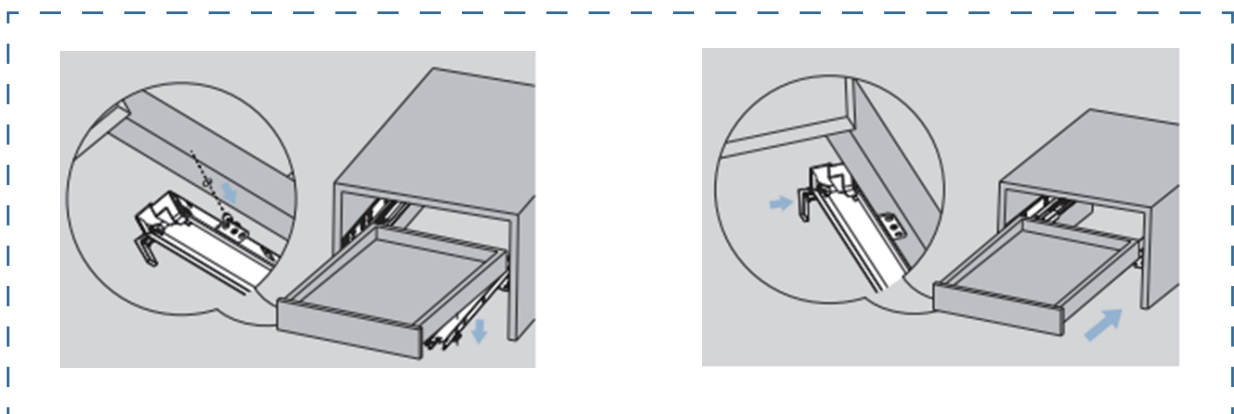
1 Drawer Removal

Slide the drawer out and loosen the bottom screws on both sides. Pull out the locking pin from the drawer side. Lift the drawer up and pull it out from the cabinet.



2 Drawer Assembly

Pull out the drawer member of the slide from cabinet, lay the drawer onto the slide. Align the metal pin on both sides onto runners and push into place. Ensure place the hook at rear of runner into the drawer and then press the locking pin into the drawer side to lock the position of the drawer.



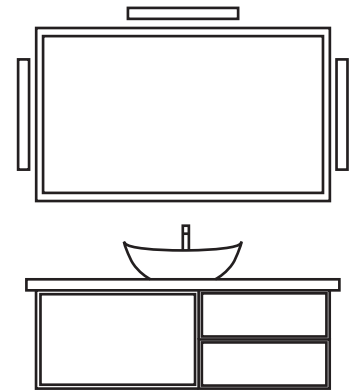
Mirror Cabinet Installation



1 Position & Level

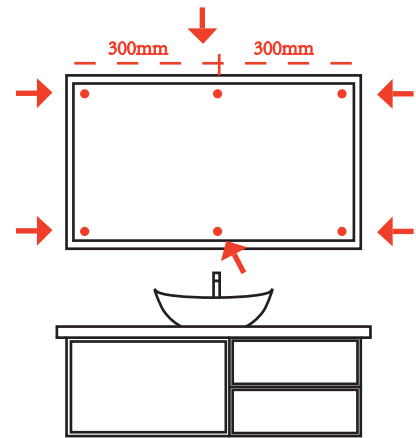
Remove all doors and place them flat on soft surface with mirrors facing up to avoid damages. Position cabinet in desired location and check support beams behind the wall coverings. Ensure all sides are level.

Note: Damage during installation is not covered under warranty.



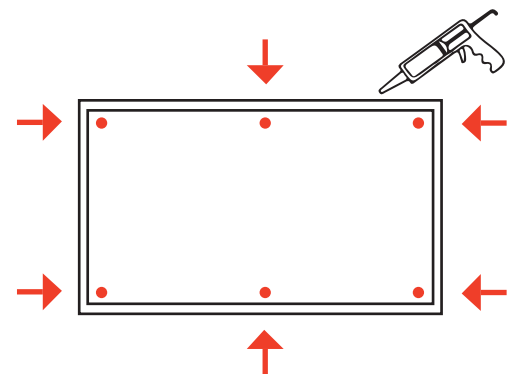
2 Install Cabinet

Securely fasten cabinet to the wall through back with appropriate screws/bolts at TOP and BOTTOM of cabinet. Evenly space apart the horizontal fixings at a maximum of 300mm apart.



3 Sealing

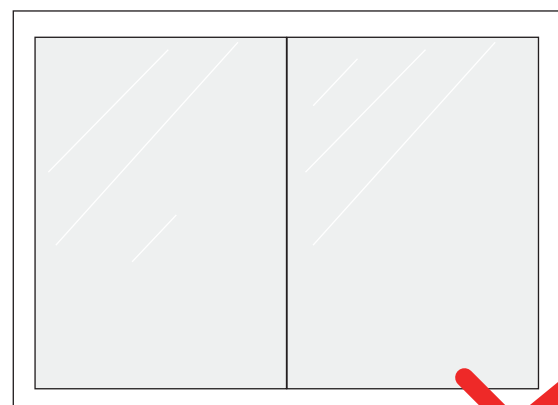
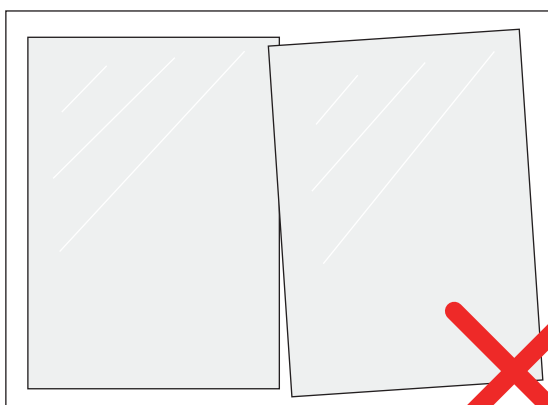
Seal all cabinet edges against floor and wall with non-acidic silicone to prevent water penetration. Please allow the silicone to dry, which could take up to at least 24 hours.



4 Adjust Doors

Install doors back onto cabinet and make adjustments to align the doors correctly.

Note: it is the responsibility of the installer to ensure the cabinet level and these adjustments are done correctly.



Product Care & Maintenance



Every Convex's well-made bathroom vanity is designed to withstand the harsh conditions of the average bathroom, over time, unless they are properly cared for, they will start to look a little worn and weathered. We recommend some tips that you can follow to keep your vanity in pristine condition and looking as new for longer.

Cabinets

- All cabinets are water/moisture resistant, not water-proof
- Cabinets should be installed at least 300mm away from showers or bathtubs to avoid water damage.
- Clean up any spillages/ water leakage immediately by using only a soft cloth with non-abrasive detergent.

Note: water damage is NOT covered under warranty

Stone Tops & Ceramic Basins

- Wipe clean with soft cloth with non-abrasive detergents periodically to maintain a uniform appearance.
- Avoid contact with strong chemicals such as acetone, oven cleaners, paint removers, etc.
- Keep high heat away from the top or basin and avoid metal or other sharp objects which could scratch and damage the surface.

Mirrors

- Keep your bathroom well ventilated during showers, etc. to avoid condensation that can run and pool at the edge of your mirror.
- Never use ammonia-based cleaning products such as glass cleaner. These may erode the mirror's silver backing.
- Never spray cleaners directly onto a mirror. Spray onto a soft micro fibre cloth and then wipe the mirror.
- Regularly oil the edges (i.e. polished or bevelled edges) of your mirrors with a small amount of clean, clear oil (such as baby oil). This will act as a seal to protect your mirror against black-spotting.