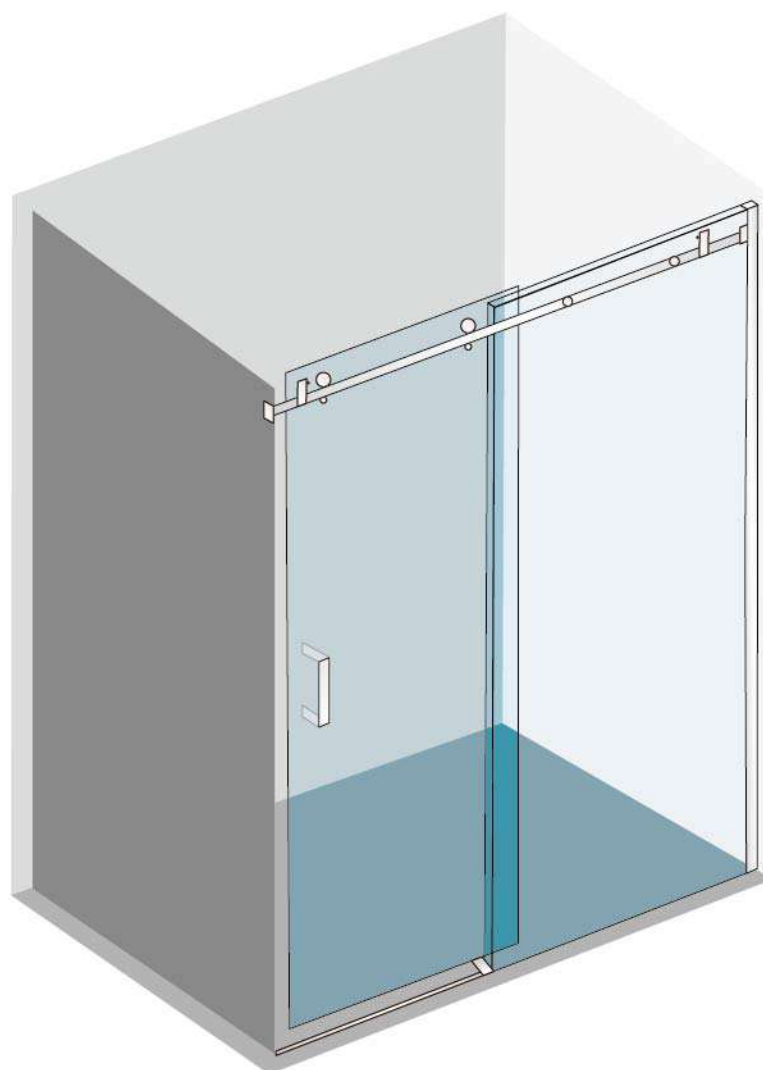


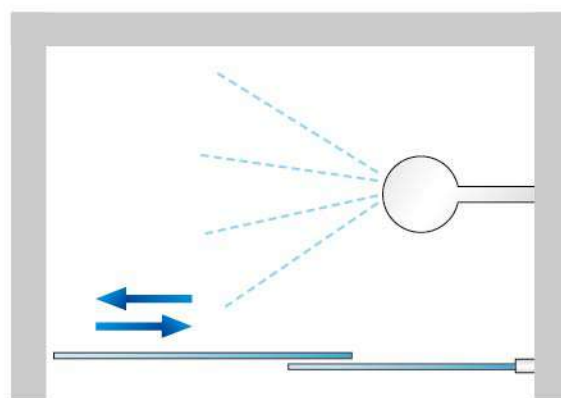
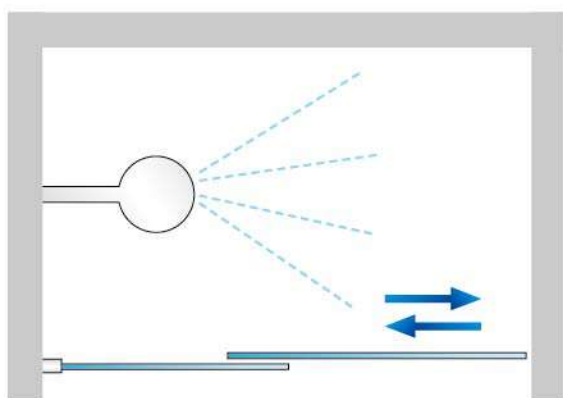
Installation Guide



Code: V10 - S



Inline Configuration



Important Notice for Purchaser/Installers

Check the contents of the pack carefully before installation.

CONVEX will not be held responsible for any de-fit/re-fit costs where faulty product has been fitted.

If any fault is found with materials or workmanship, it must be reported immediately to the CONVEX.

Remedial action will be taken, based on information received, on condition that:

1. Full details are supplied to the CONVEX;
2. The screen has not been modified or malicious/intentional damage or neglect;
3. The CONVEX is informed of any damage/shortages prior to installation.

We do NOT accept responsibility for any problems that may occur through incorrect installation.

The success of the installation and operation of any shower screen is, of course,

dependant on the squareness, alignment and construction of the walls to which fixing is to be carried out.

Glass Breakage Warning

CONVEX's shower glass panels are made from Grade A Toughened Safety Glass that complies with relevant Australian Standards. The glass can be damaged and broken if it is handled incorrectly, even if it is tough and hard to break. Always TWO persons install the panels with care. Toughened Safety Glass can NOT be cut, drilled or grinded like other ordinary glass.

We do NOT accept responsibility for glass breakage after dispatch from Convex.

The purchaser/installer acknowledge that it is their responsibility of checking

if the glass at the time of handover was undamaged and free from any defects.

Safety Matters

ALWAYS :

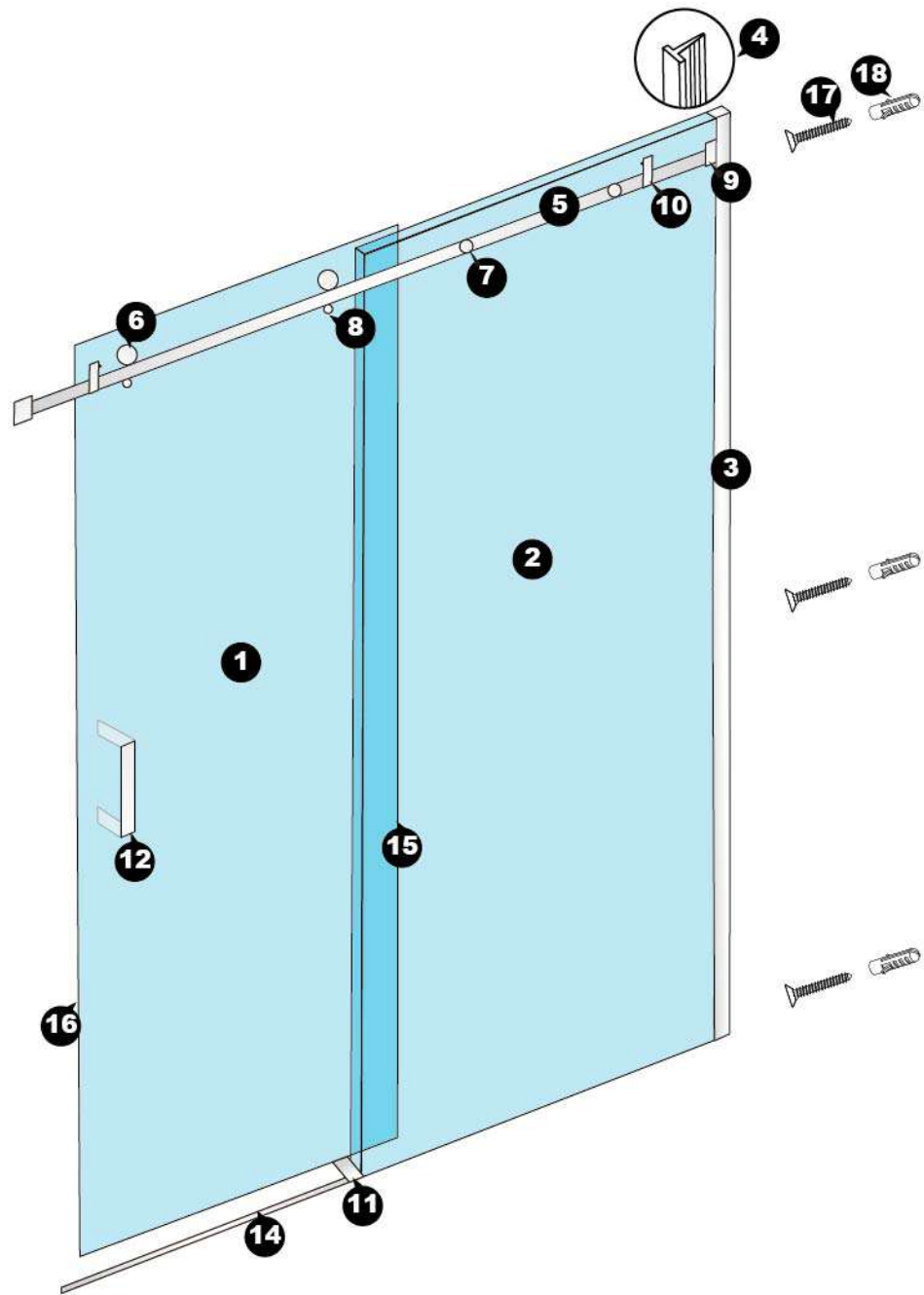
- Check there is no electrical wires or hoses before you drill or mount anything.
- Wear safety glasses and gloves when handling chemicals, silicone or such.
- Work in a safe manner & comply with OHS requirements.
- Enter the shower slowly with care to avoid slipping, open & close the shower door gently to avoid any potential damage or injury.

DO NOT:

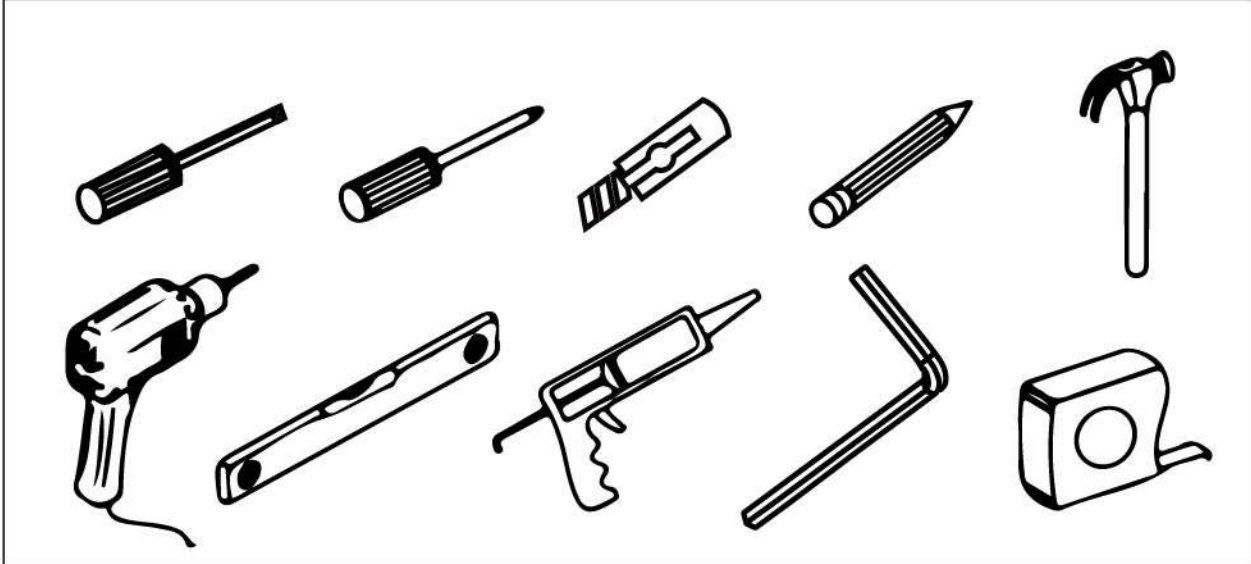
- Stand on the shower screen package or any other objects or fixings. It could cause injury or physical harm.
- Rest or place the glass panels on hard surfaces like tiles, concrete, other glass panels or metal surfaces.
- Cushion the edges with cardboard, soft timber or rubber mat.
- Impact or scratch the glass panels with any sharp metallic objects or tools.
- Allow children to use the shower alone or to play in the shower to prevent any injury.
- Use shower within 24 hours before the silicone fully dry.

Cleaning & Maintenance

Many household cleaners contain abrasive and chemical substances and should not be used for cleaning painted, plated or plastic fittings. These finished should be cleaned with a mild washing up detergent and wiped dry using a soft cloth. Regular cleansing with a biodegradable cleanser prevents stubborn stains and ensures a clean and hygienic surface for many years. Do NOT use scouring or caustic cleansers under any circumstances. These can damage the surface finish of this product.



Tools & Equipments Required



Parts list

1  x1	2  x1	3  x1	4  x1
Door Panel	Fixed Panel	Wall Channel	Plastic Wedge
5  x1	6  x2	7  x2	8  x2
Pre-Drilled Rail	Door Roller	Fixed Panel-Rail Connector	Door Stabiliser Guide
9  x2	10  x2	11  x1	12  x 1
Wall-Rail Bracket	Stopper	Floor Guide	Square Handle (Size more than 1150mm)
13  x1	14  x1	15  x1	16  x2
Round Handle (Size less than 1150mm)	Water Bar	Panel Water Seal	Door Bumper Stopper
17  x5	18  x5	19  x3	
ST4 x 30 Screws	Wall plugs	Allen Key	

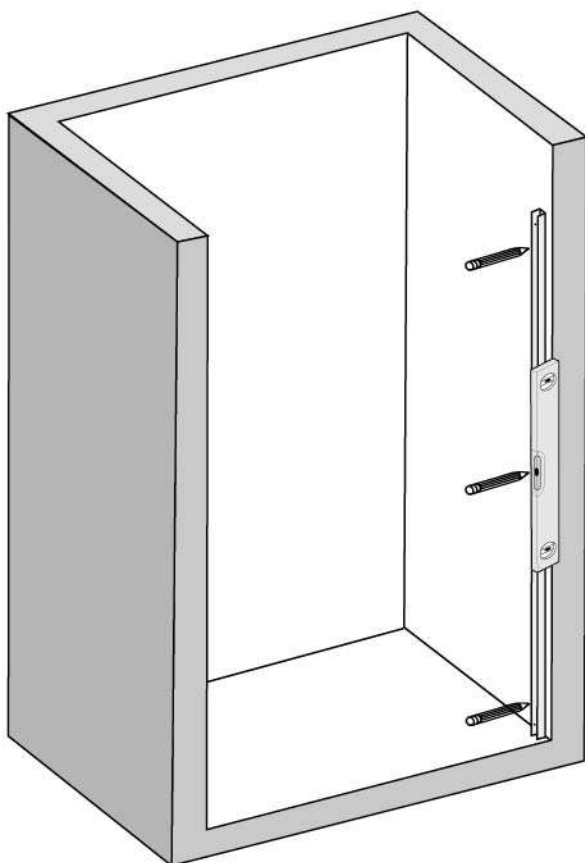


Recessed Round Handle
Supply for overall size 1000-1150mm.

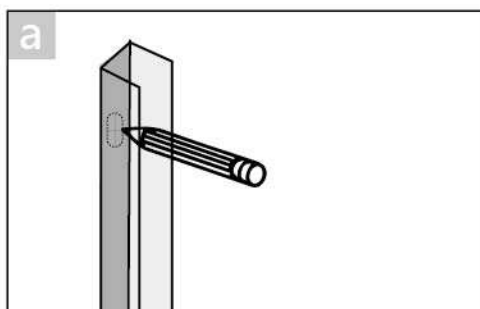


Square Handle
Supply for overall size 1150-2000mm.

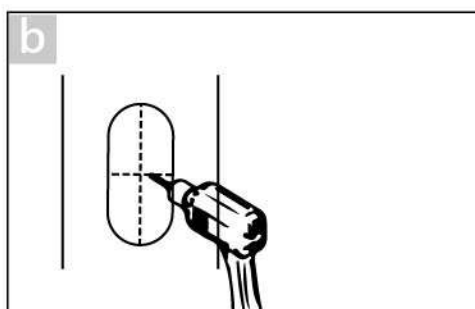
1



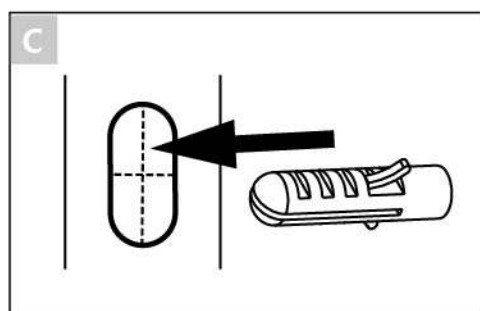
- Wall profile of this screen can be channel or bracket.
- The wall profile in this guide is wall channel as example.



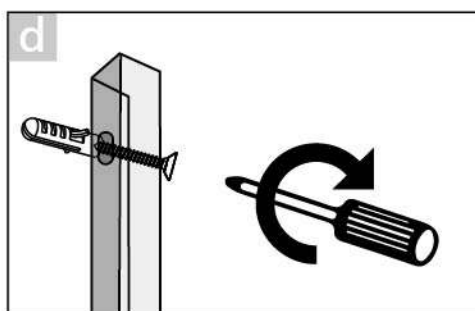
a Position and level the wall channels. Mark the fastening holes.



b Drill the wall covering.

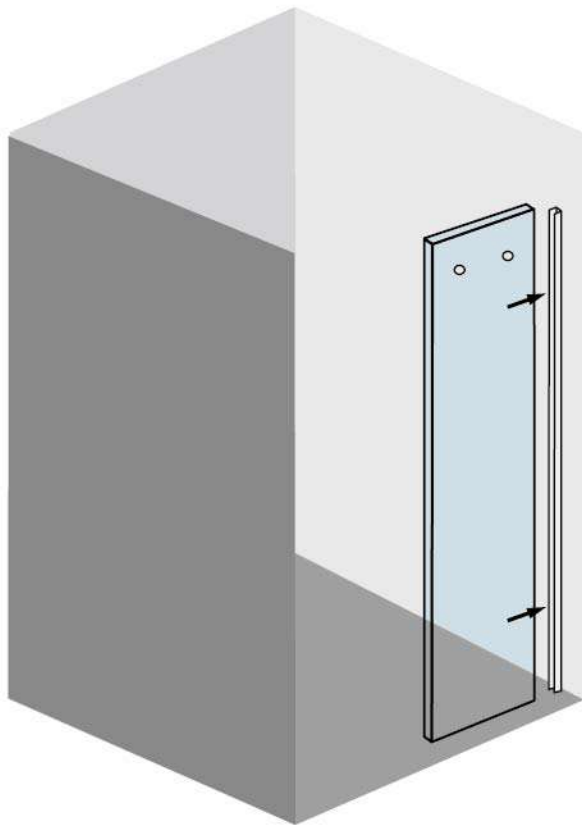


c If no studs are behind the wall covering, use wall plugs when fastening the wall channels.

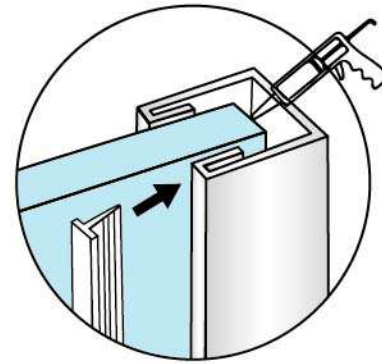


d Fasten the wall channel with ST4*30 screws.

2

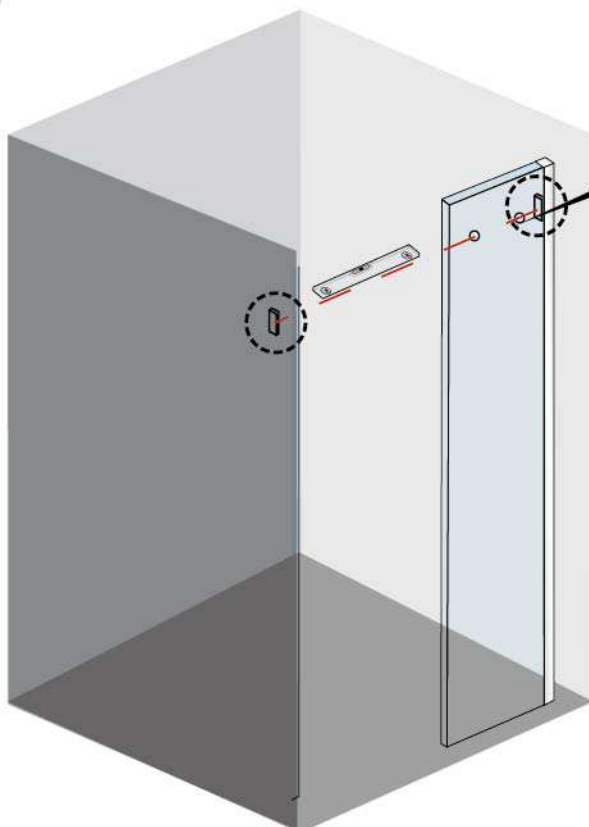


view from outside



Insert the plastic wedge between fixed panel & wall channel.
Recommend apply silicone inside the channel.

3



Side view
Facing the wall

23 10

Inside shower

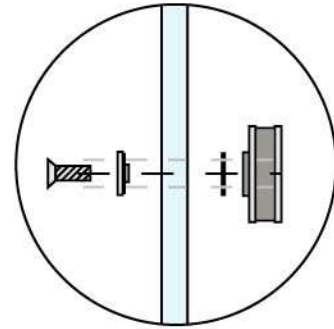
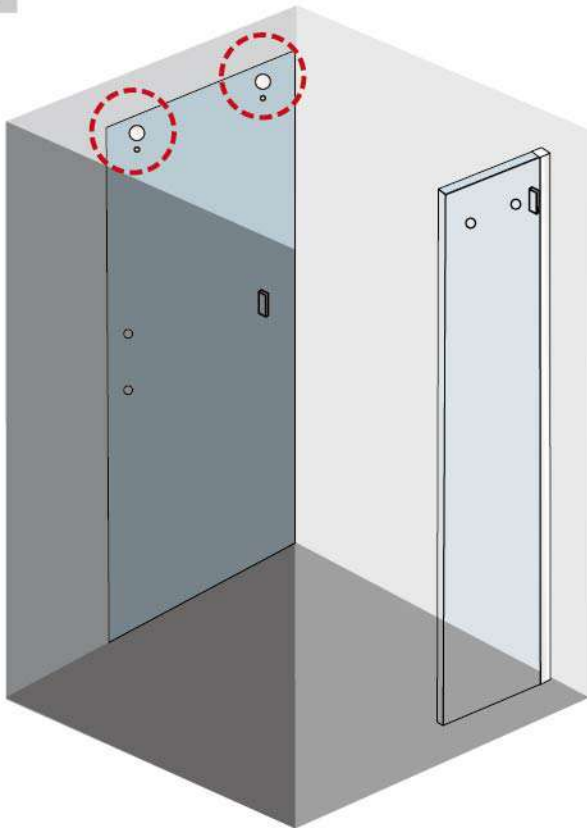
80

Wall rail
bracket block



Fit the internal block of the wall bracket inline with the fixed panel top holes on the wall.

4



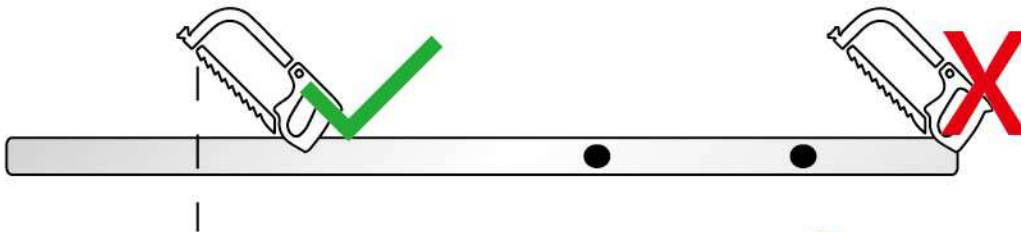
Fit door rollers on the door panel.



Place door panel inside the shower safely before connecting rail.

Tips

5

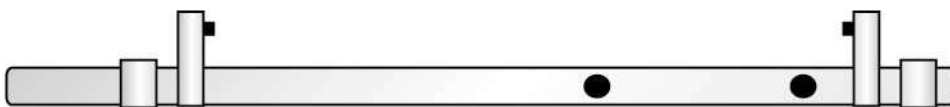


- Take measurement between internal blocks on wall.
- Cut non hole end of rail to suit width between wall bracket blocks.



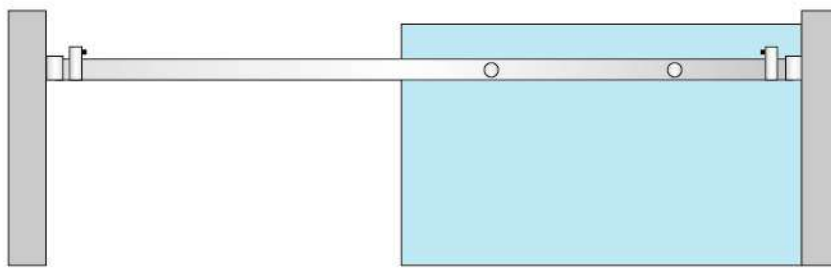
WARNING

DO NOT cut from hole end ,
always cut from non hole end.

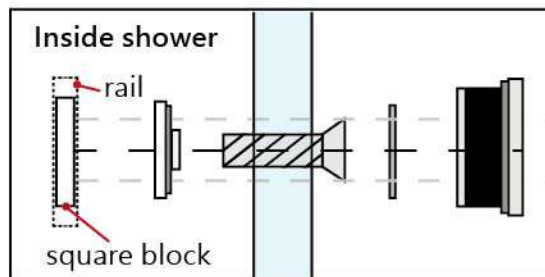
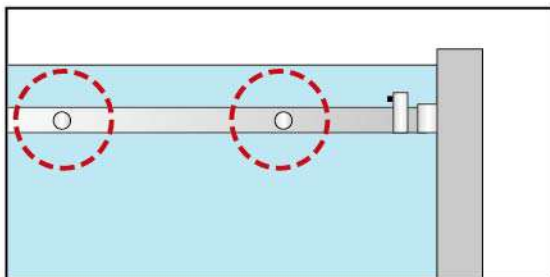


Slide 2x stoppers and 2x wall bracket sleeves
onto the rail before fitting to the blocks.

6

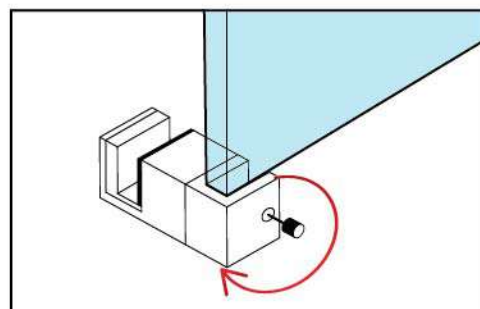
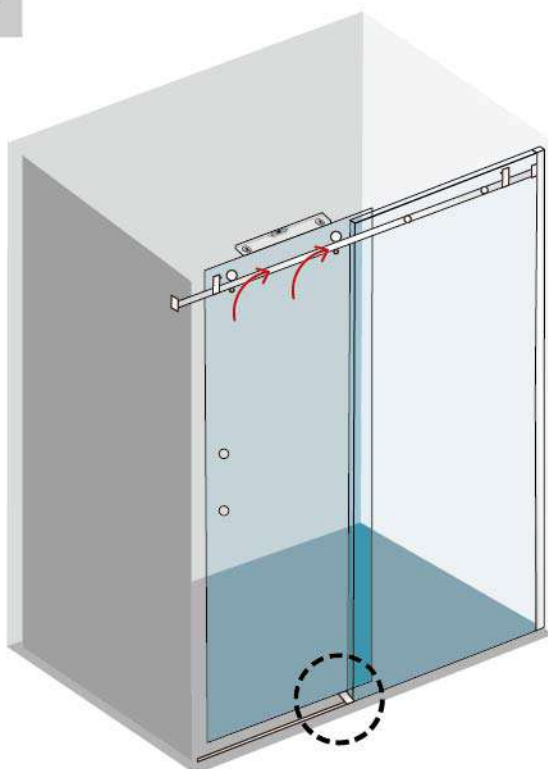


Attach rail to wall brackets by sliding wall bracket outer sleeves over the wall blocks and secure with grub screws.

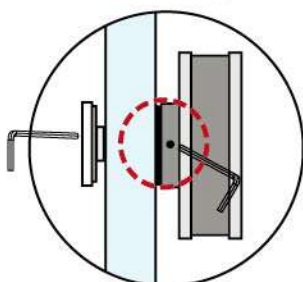
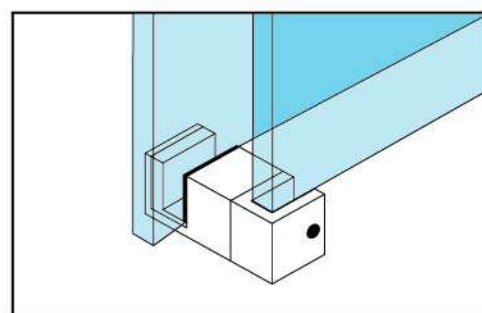


Attach Fixed Panel-Rail Connector to connect rail to fixed panel.

7



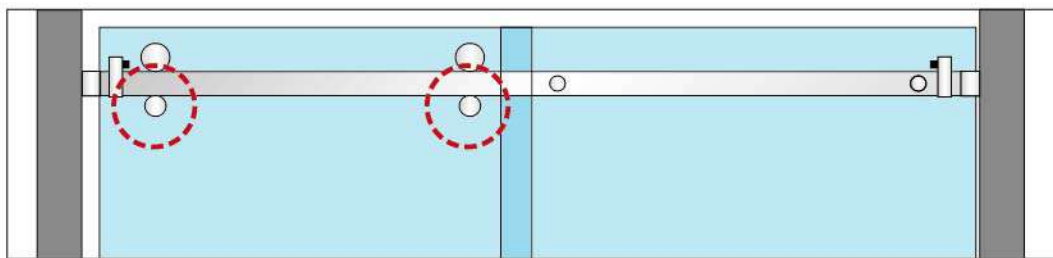
Ensure the floor guide is set to suit your desired composition (left or right). Then Proceed to use the grub screw to secure the guide to the bottom leading corner of the fixed panel.



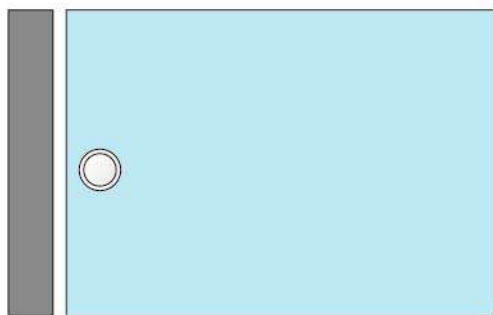
To level door panel, use allen key to adjust roller.

Hang door on the rail while fitting bottom edge into the floor guide and adjust wheel cam until level.

8



Fit door stabiliser guides to door and adjust to prevent door from lifting.

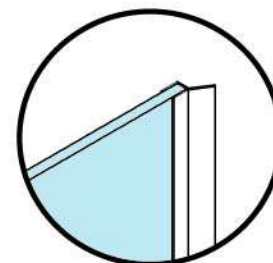
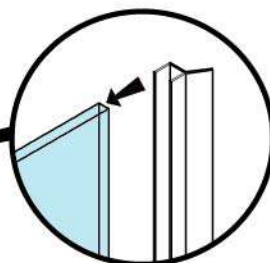
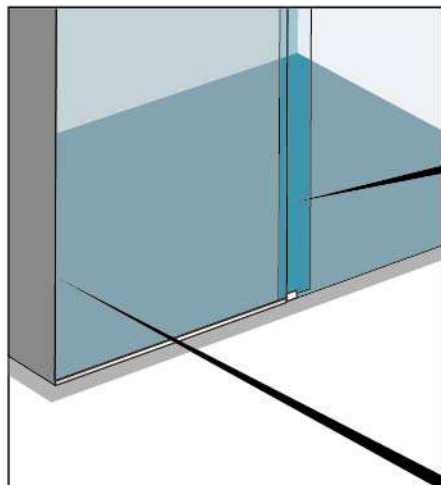


Fit recessed circle handle to the door.
(Supply for overall size less than 1150mm)

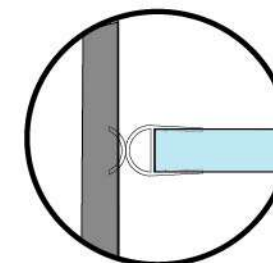
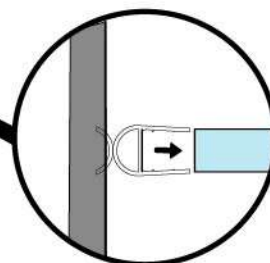
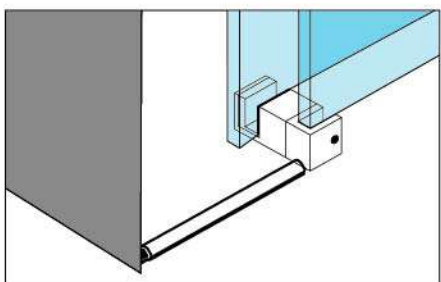


Fit square handle to the door.
(Supply for overall size more than 1150mm)

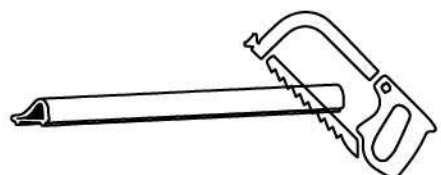
9



Fit side water seal on fixed panel.

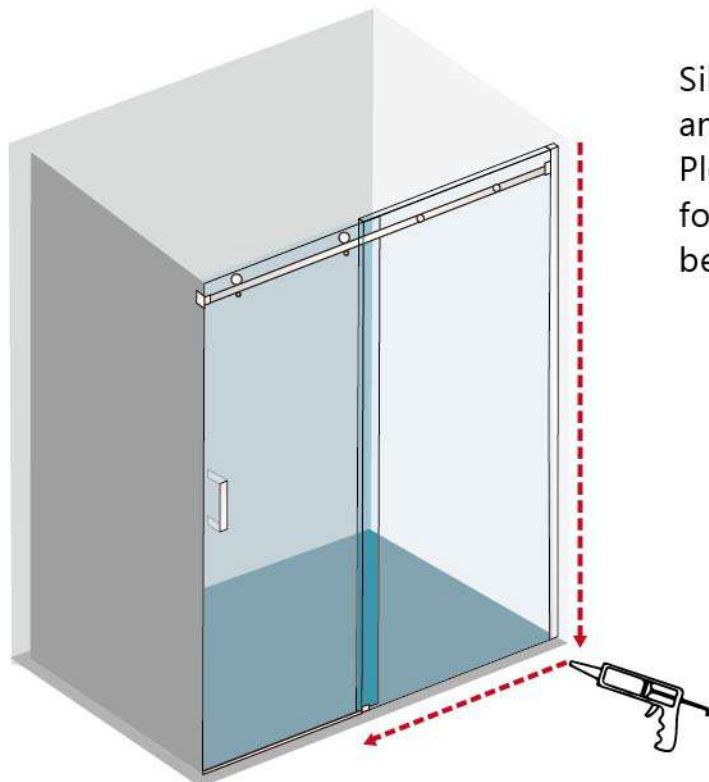


Fit door bumper seals on the
both sides of door panel.

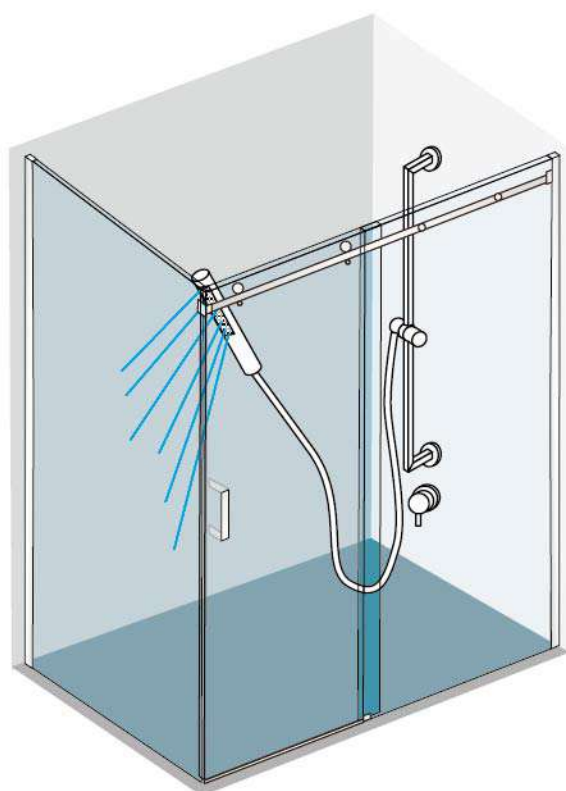
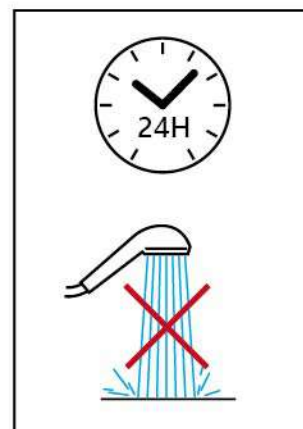


Measure and cut water bar to fit under the
door panel. Silicone around the water bar.

10



Silicone along wall channel and bottom of the fixed panel. Please allow at least 24 hours for the silicone to fully cure before using the shower.



This shower system is projected to offer maximum aesthetics united to optimum functionality, assuring water tightness during showering, and quick rinsing operations. Only correct installation assures adequate water tightness.

